

THIS DRAWING IS UNPUBLISHED. RELEASED FOR PUBLICATION MAR ,2006.

© COPYRIGHT 2006 BY TYCO ELECTRONICS CORPORATION. ALL RIGHTS RESERVED.

LOC	DIST	REVISIONS					
E	B	P	LTR	DESCRIPTION	DATE	DWN	APVD
		A		FIRST ISSUE	20MAR06	JMS	FWK

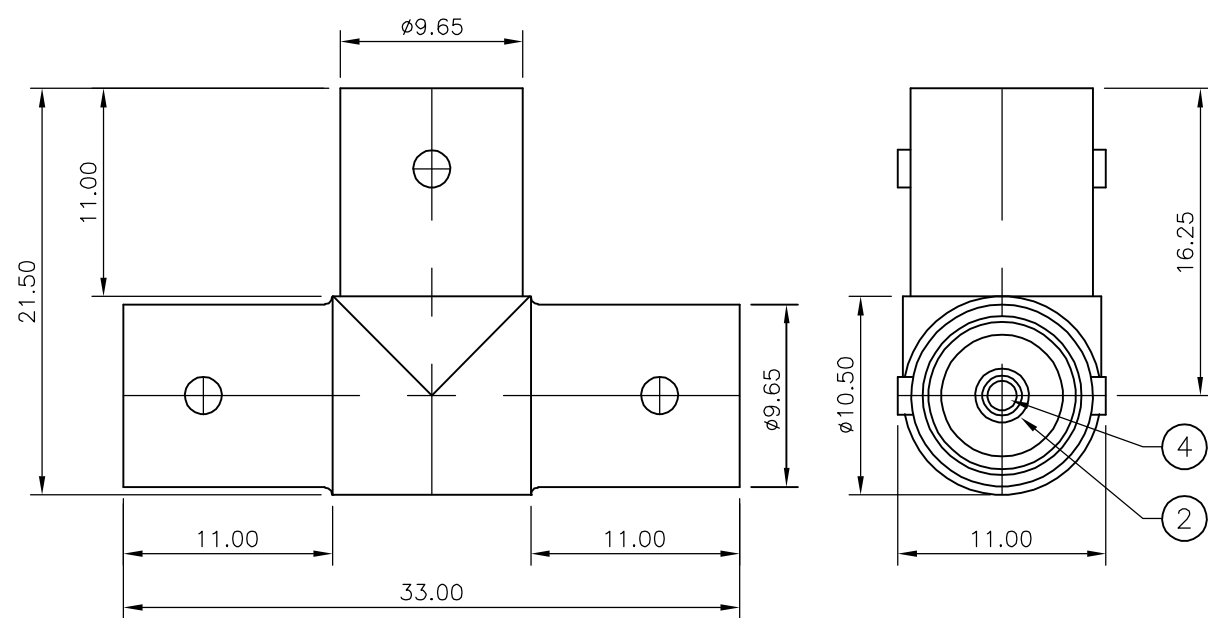
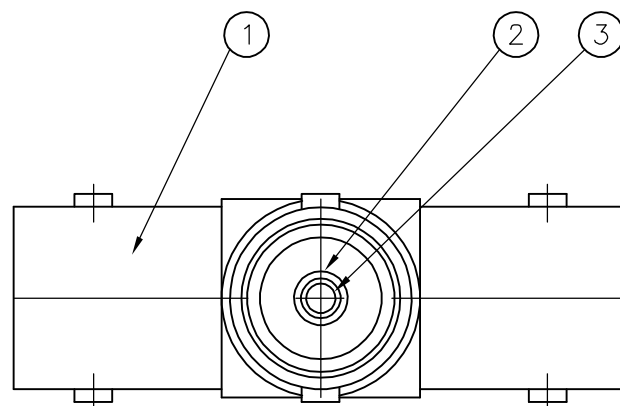
NOTES

- 1 100 TRAY PACK IN ACCORDANCE WITH AMP SPEC 107-3275
- 2 SINGLE PACK IN ACCORDANCE WITH AMP SPEC 107-3275
- 3 Au PLATING
- 4 Ni PLATING

5. CHARACTERISTICS  
 FREQUENCY RANGE (50 OHMS): DC-4GHz  
 INSULATION RESISTANCE: 5000 MOHMS  
 WORKING VOLTAGE: 500V  
 DIELECTRIC WITHSTAND VOLTAGE: 1500V RMS  
 TEMPERATURE RATE: -55°C TO +85°C  
 CONTACT RESISTANCE: 3 mOHMS

6. MECHANICAL CHARACTERISTICS  
 DURABILITY: 50 CYCLES

- 7. FOR TECHNICAL DATA REFER TO YOUR LOCAL TYCO ELECTRONICS SALES OFFICE
- 8. ALL DIMENSIONS ARE NOMINAL FOR REFERENCE ONLY UNLESS OTHERWISE STATED



						1	1	PHOS BRONZE	3	CONTACT 2	4
						1	1	PHOS BRONZE	3	CONTACT 1	3
						3	3	POLYMETHYLPENTENE		INSULATOR	2
						1	1	ZINC ALLOY	4	BODY	1
						5--1	5--0	MATERIAL		DESCRIPTION	ITEM
QUANTITY PER ASSY											PARTS LIST

THIS DRAWING IS A CONTROLLED DOCUMENT.		DWN	J.SANDWELL	20MAR06	Tyco Electronics Corporation Bideford, UK, EX39 4HE	
DIMENSIONS: mm		CHK	S.PARLOW	20MAR06		
TOLERANCES UNLESS OTHERWISE SPECIFIED:		APVD	F.WHEELER-KING	20MAR06	NAME	
0 PLC ± - 1 PLC ± - 2 PLC ± - 3 PLC ± - 4 PLC ± - ANGLES ± -		PRODUCT SPEC		BNC T - ADAPTOR JACK - JACK - JACK		
MATERIAL SEE TABLE		FINISH -		APPLICATION SPEC -		RESTRICTED TO -
		WEIGHT	-		SIZE	A3
		CUSTOMER DRAWING		CAGE CODE	00779	DRAWING NO
				G=1634535		RESTRICTED TO
				SCALE	NTS	SHEET 1 OF 1
						REV A